



ARM Sangyo Cordless Bolt Cutter Maintenance

Water Solutions

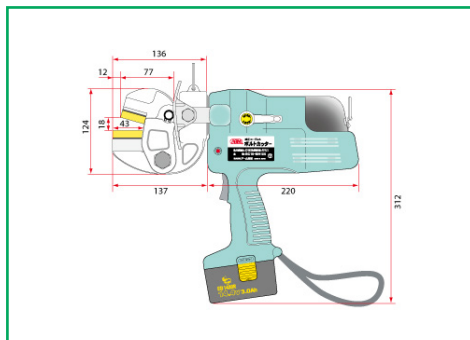
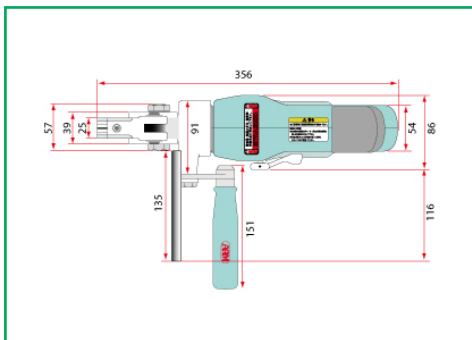
The ARM Sangyo is a powerful cordless bolt cutter used for emergency and planned work by maintenance and security teams.

HMG Water Solutions are the exclusive UK distributor for ARM Sangyo.

The BC16 (501200) has a cutting capacity of 16mm diameter for Rebars or 13mm diameter for hard steels. Used in multiple industries including construction, security, rescue, sea containers, transport and with hoist chains.



The BC16 outputs 11 ton's of force from such a small package. Weighing only 7.1kgs supplied in a carry case with the battery charger.



Cutting time: 5 Seconds

Cutting times per fully charged battery:

- 16mm diameter rebars = 210 times
- 13mm diameter rebars = 305 times

Each BC16 set (501200) comes with;

- Bolt Cutter (501201) and blades
- Spare blade set (501202)
- Hand protector (501203) and shoulder strap (501204)
- Li-ion battery (501205) and charger (501206)
- Carry case (501207)

CONTACT OUR TEAM TODAY TO DISCUSS YOUR REQUIREMENTS
01249 816181 > info@hmglocation.co.uk > www.hmglocation.co.uk

©2021 HMG Water Solutions Ltd. All rights reserved to make changes to design and specification without prior notice or consent. E&OE

INFO@HMGLOCATION.CO.UK

01249 816181

LOCATE : SURVEY : DETECT

WWW.HMGLOCATION.CO.UK

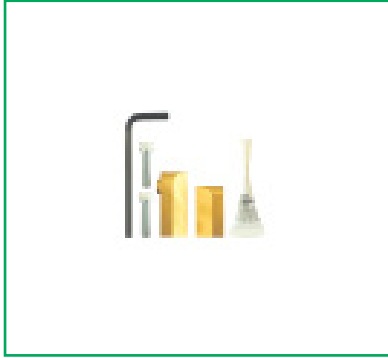




ARM Sangyo Cordless Bolt Cutter Maintenance

Water Solutions

Spares



Spare blades



Hand protector



Battery charger



Spare Battery Li-ion



Carry case

WWW.HMGLOCATION.CO.UK LOCATE : SURVEY : DETECT 01249 816181 INFO@HMGLOCATION.CO.UK

CONTACT OUR TEAM TODAY TO DISCUSS YOUR REQUIREMENTS
01249 816181 > info@hmglocation.co.uk > www.hmglocation.co.uk

©2021 HMG Water Solutions Ltd. All rights reserved to make changes to design and specification without prior notice or consent. E&OE

